



**Features:**

- ▶ 7 Segment LED display
- ▶ Site Programmable CT ratio
- ▶ True RMS measurement
- ▶ Password protection
- ▶ Bar graph indication of load current



**Advantages:**

- ▶ Protection of power assets
- ▶ Detection and isolation of faults
- ▶ Speedy tripping to avoid damage
- ▶ Maintain supply continuity of healthy circuit

**Applications:**

- ▶ Control Panel
- ▶ Feeder/Motor
- ▶ Generator
- ▶ Transformer
- ▶ Electrical Distribution

**Measuring Parameters**

- ▶  $V_{L-L}$  (Individual/Average),  $V_{L-N}$  (Individual/Average)
- ▶ Current (Individual/Average)
- ▶ Frequency
- ▶ Earth Leakage current
- ▶ Run Hours

**Supply Voltage**

Auxiliary Supply                      90-270V AC/DC ( $\pm 15\%$ )  
 Frequency                              50Hz/60Hz

**Display**

Display                                    4 rows of 3 digits,  
     7 segment LED display  
     Bar graph for percentage load  
 Digit Height                            0.39" (9.9 mm)

**Input Specifications**

Electrical Connection                3Ø-4 wire  
 Input Voltage Range                 0-500V AC (L-L)  
 Input Current Range                 0.05 A – 6 A AC  
 Frequency                              45 Hz to 65 Hz  
 Resolution                              Frequency: 0.1 Hz  
     Voltage: 1 V  
     Current: 0-99: 0.1A  
     100-999: 1A  
     >1000 : 0.01 kA  
 Accuracy                                Class 1 for voltage and current  
 Burden                                    <0.2 VA for voltage and current

**Output Specifications**

Relay Output                            1 C/O potential free contact  
     (NO, C & NC) de-energise on fault

**Settable Parameters**

C. T. Primary                            1/5A to 10000A (Programmable)  
 C. T. Secondary                        1/5A (Programmable)  
 Trips                                      Programmable: Under/Over voltage,  
     Under/Over Frequency, Under/Over  
     Current, Phase reversal, Phase fail,  
     Phase loss, Current asymmetry,  
     Voltage Asymmetry, Locked rotor,  
     Rotor earth fault

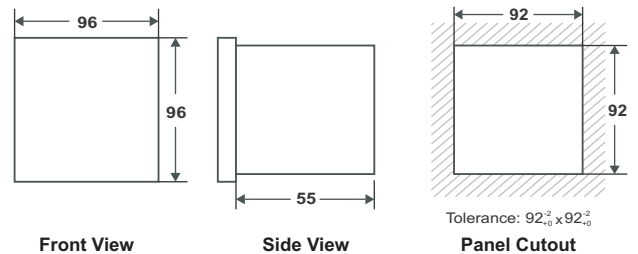
**Environmental Specifications**

Operating Temperature                -10°C to 55°C  
 Storage Temperature                 20°C to 75°C  
 Humidity                                < 95% RH

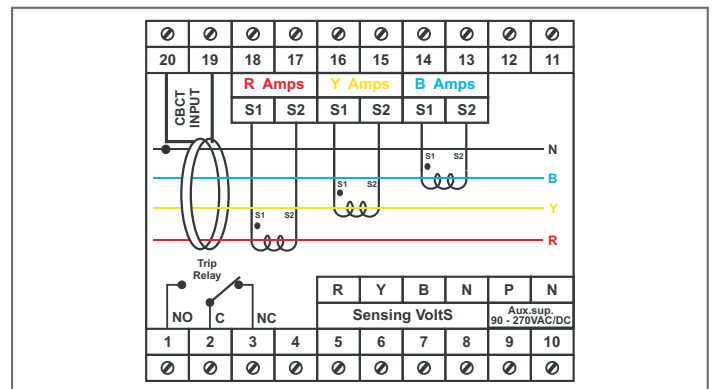
**Mechanical Specifications**

Mounting                                 Flush Mounting with Side Clamps  
 Weight                                    280 g  
 Enclosure Material                    ABS Thermoplastic

**Dimension**



**Connection Diagram**



**Connection Diagram**

Ordering Code	Description
VIPS 83M	Motor Protection Relay Flush mounted